


KT26 – Lift intercom

Lift intercom designed for REKOBA lift emergency call systems TransAlarm and BFA, compliant with EN81-28 and including floor talker function compliant with EN81-70. KT26 supports both REKOBA's classical analogue **PL interface** and also the new digital bus interface, called **RKT bus**.

 <p style="text-align: center;">KT26</p>	Operating voltage	10V - 30VDC
	Power consumption	
	Continuous current	?
	Nominal current	?
	Maximum	?
	LED ports (R,Q)	40mA max
	Speaker	57mm/0,3W
	Digital voice data memory	130 seconds of voice data (standard)
	Temperature range	10° to 40°C
Relative humidity	20 to 70 %	
Protection class	IP 30	

Features

- Supports "Emergency" / "Talk" visual indicators according to EN81-70
- Supports analogue PL interface and digital RKT bus
- Volume control, noise filter
- Floor talker function
- Emergency call misuse input (digital RKT bus only)
- Emergency call button input (digital RKT bus only)
- Terminal plug
- Wall or front panel mounting

Terminals and control elements

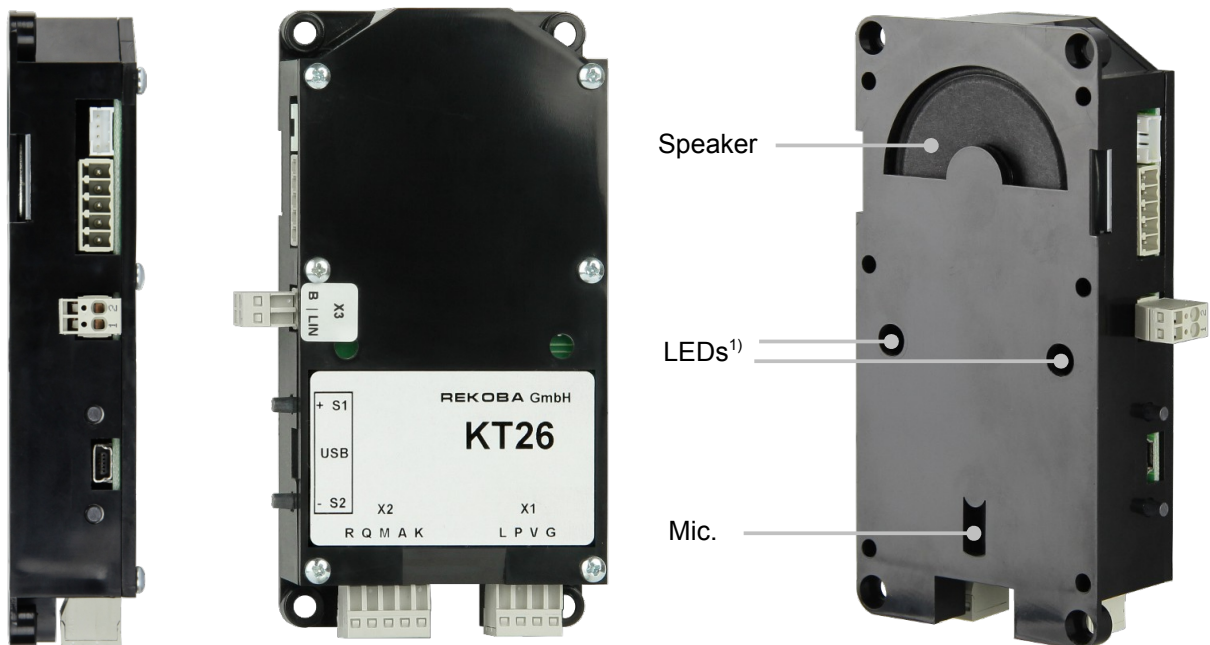


Fig. 1 – Terminals and control elements KT26

1) Indicator LEDs integrated with KT26 are optionally included

Terminals / Controls	Function	Description
X1		Terminal block: Connections to TAS
L/P	Voice	
V	Power supply +	
G	Power supply -	
X2		Terminal block: Local connections
K	Plus potential for terminals A, Q and R	
A	Emergency call input	RKT bus only
Q	Indicator output „Emergency call/Wait“	For example: Yellow LED
R	Indicator output „Emergency call/Talk“	For example: Green LED
M	Misuse signal input	RKT bus only
X3	LIN bus connector for announcements	
USB	For PC setup using USB cable	
SPK	Speaker	
MIC	Microphone	
S1	Volume up	Push-button
S2	Volume down	Push-button

Visual indicators / LEDs

The emergency call system detects an emergency call when the passenger pushes down the emergency call button for a fixed time (factory setting: 3 seconds). The indicator connected to KT26's terminal "Q" (yellow LED) activates as soon as an emergency call has been detected, and it deactivates again when a voice connection with the emergency call centre has been established, or when the emergency call centre acknowledges the emergency call directly without speaking to the calling lift passenger. The indicator connected to KT26's terminal "R" (green LED) glows during the time that a voice connection to the emergency call centre is established.

Volume control

The default speaker volume setting of KT26 is optimized for lifts of up to 10 passengers. KT26's speaker amplification can be modified using push buttons S1 and S2 (see fig. 1) along the side of KT26. As a rule of thumb, the volume should be adjusted such that a clear communication at a distance of 50 cm is possible. Please note that pulling the speaker amplifier too high can result in an acoustic feedback loop.

Floor talker

Floor talker announcements are stored inside KT26 using the RKT software setup tool on a PC while having KT26 connected via USB port (see fig. 1). The lift controller triggers announcements stored inside KT26 by simple, standardized LIN bus messages. This distribution of tasks between KT26 and the lift controller leads to:

- plug-and-play abilities to a great extent
- flexibility when handling varying announcements in different lifts of the same installation
- easy maintenance of language- and/or customer-specific announcement sets

Housing dimensions

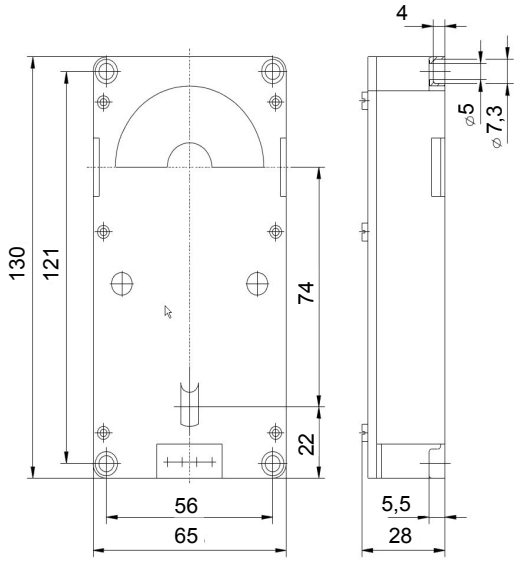


Fig. 2 – KT26 housing dimensions

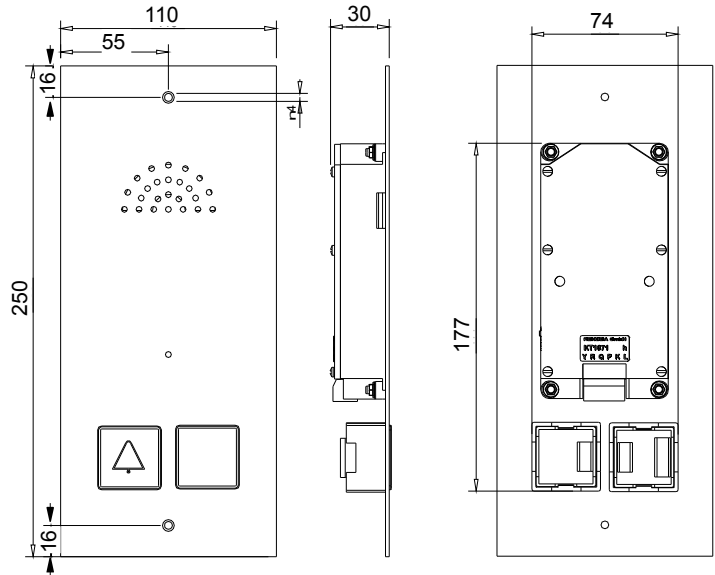


Fig. 3 - KT26 dimensions with front panel

Installation instructions

- Mounting height: approx. 150cm from ground
- Speaker openings: as large as possible
- Microphone openings: approx. 3mm
- Make sure KT26 lies flat against the front plate, any openings must be filled with cellular rubber

KT26 wiring diagram for EN81-70 visual indicators

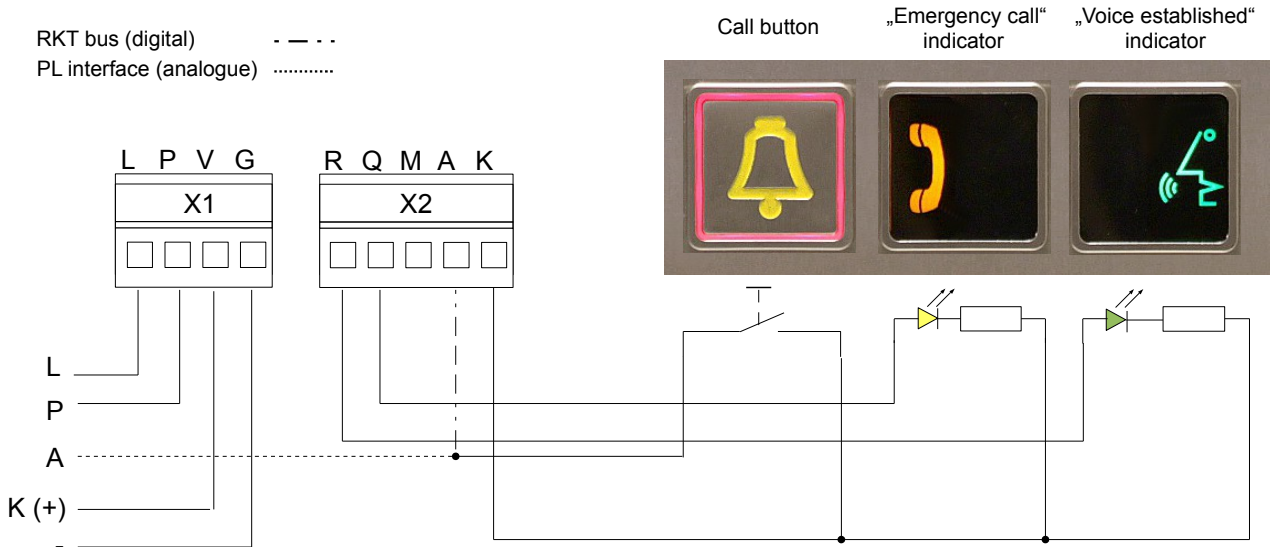


Fig. 4 – KT26 wiring diagram